

coin operated lock

SKIRMETT WASHROOMS

X Reference of the product: **DRY APPLICATION** Coin Operated Lock



DRY Application – Coin Operated Lock

Coin Operated Lock supplied in a **ABS** housing
Available for Right Hand (**07410-01**) or Left Hand (**07410-02**) Doors
EXISTING & NEW £1 coin & 1€ Coin acceptance model
Lock supplied under a master key with **700+** key combinations
Lock supplied with 2 x Silver Nickel Plated keys, Coin Collect Tray, Sticker Indicating
Coin Acceptance and Operating Instructions

Coin Acceptance: 3 Coins in 1 Lock

NEW £1 Coin



EXISTING £1 Coin

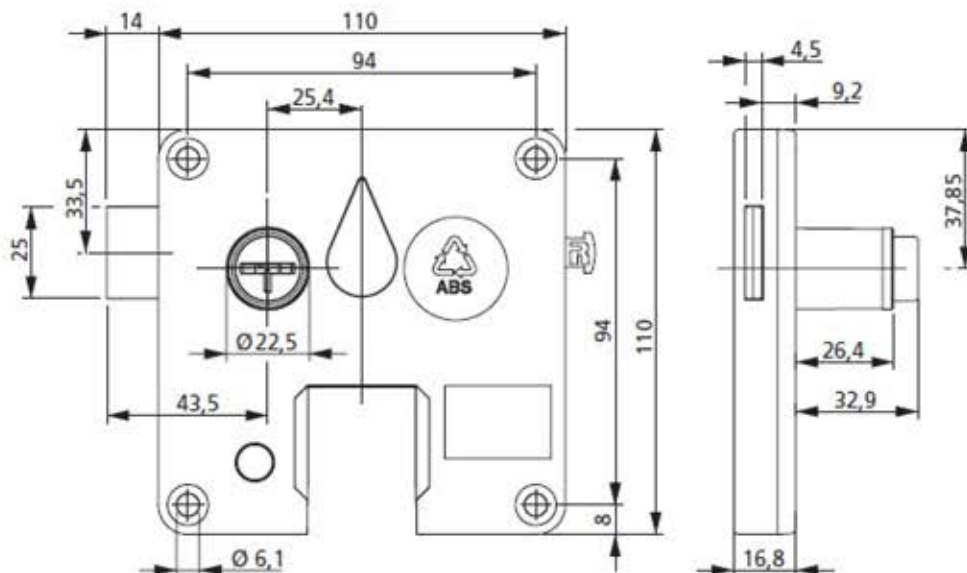


EXISTING 1€



Kemmlit UK

Technical Drawing:



Standard Feature of our **OMEGA** Coin Operated Lock:

Removable Barrel

REMOVABLE BARREL INSTRUCTIONS



- When door open, insert coin turn and remove the key.
- Insert extraction key, turn and remove the barrel.



- Remove extraction key from old barrel.
- Remove differ key from the new barrel and insert extraction key.



- Insert the new barrel. Make sure the last disc tumbler is correctly located in the housing



- Insert coin, turn extraction key and keep it in a safe location.
- Insert the differ key of the new barrel and turn

ACCESSORIES

ZAMAK : REPLACEMENT BARREL

MASTER KEY



EXTRACTOR KEY



Kemmlit UK