

**SKIRMETT**  
WASHROOMS

TRONIC MIFARE

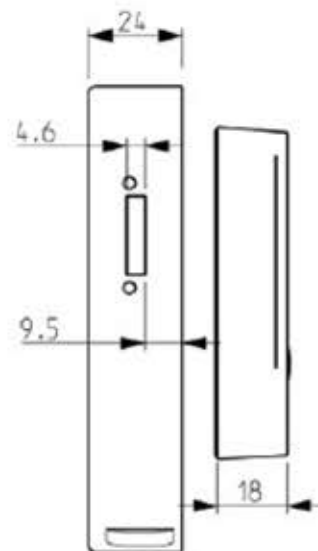
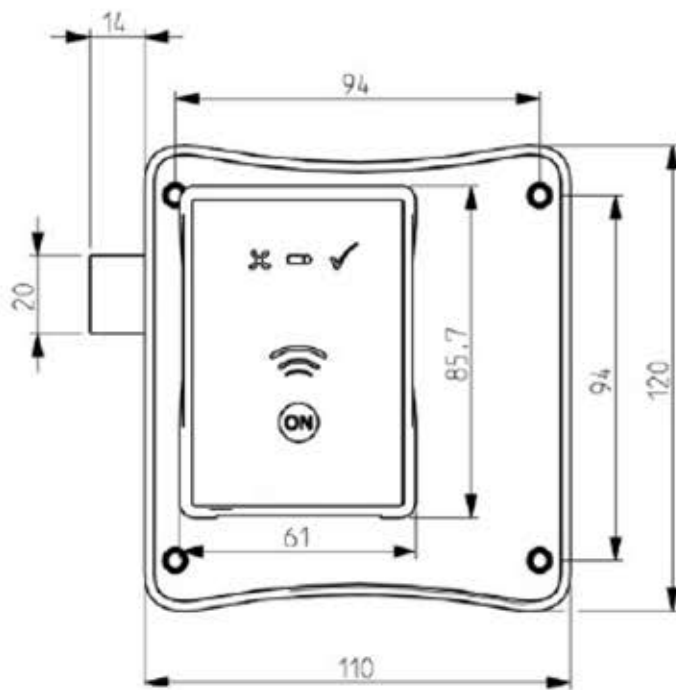


# TRONIC MIFARE



# TRONIC MIFARE

## DRAWING





RFID  
CARDS



CUSTOM MADE WASHROOM SOLUTIONS

# TRONIC MIFARE

## RFID CARDS



Mifare User Card:  
Ref: 8700111002



Mifare Master Card  
Ref: 8700111003



Mifare Management Card:  
Ref: 8700111004



Mifare Setting Card:  
Ref: 8700111007

RFID Classic Mifare 1K/4K (ISO14443A/B)

# TRONIC MIFARE

## MANAGEMENT CARD

Function:

Mode Selection (Multi-User / Single User)

Create or Delete Master Cards



# TRONIC MIFARE

## MASTER CARD

Function:

Create or Delete User Cards

Inspection Mode and Delete User Card



# TRONIC MIFARE

## USER CARD

Function:

Opens or Closes the Lock







*RFID  
CARD  
FUNCTIONS*



CUSTOM MADE WASHROOM SOLUTIONS



MULTI-USER  
MODE



CUSTOM MADE WASHROOM SOLUTIONS

# SETTING THE FUNCTION

## MULTI-USER MODE

### USING the MANAGEMENT CARD:

- Press ON **BUTTON**
- Present **CARD** twice

Confirmation - Correct Programming

The Reader

Green LED Light Flashes Twice and  
2 Short Beeps





*SINGLE-USER  
MODE*



CUSTOM MADE WASHROOM SOLUTIONS

# SETTING THE FUNCTION

## SINGLE-USER MODE

### USING the MANAGEMENT CARD:

- Press **ON** BUTTON
- Present **CARD** three Times

Confirmation - Correct Programming

The Reader

Green LED Light Flashes 3 Times and  
3 Short Beeps





*RFID CARD  
MANAGEMENT*



CUSTOM MADE WASHROOM SOLUTIONS

# ASSIGNING **NEW** MASTER CARDS

## USING the **MANAGEMENT CARD** & **NEW MASTER CARD**:

- Press **ON** BUTTON
- Present **MANAGEMENT CARD** Once  
GREEN LED Light Flashes
- Present **MASTER CARD** for approval  
Wait 5 seconds for confirmation

Confirmation - Correct Programming  
The Reader  
Green LED Light Flashes 2 Times and  
2 Short Beeps



Up to 5 Master Card can be programmed to each lock

# DELETING ALL MASTER CARDS

## USING the MANAGEMENT CARD:

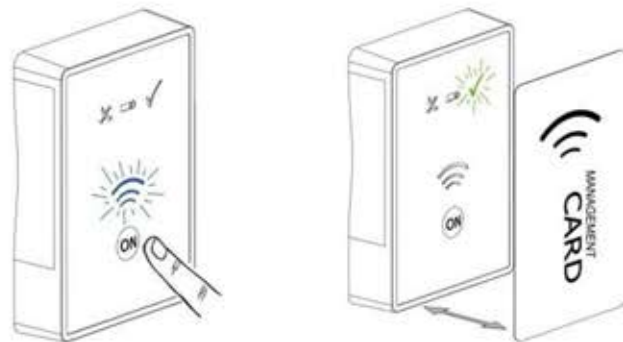
- Press **ON** BUTTON
- Present MANAGEMENT CARD three times  
Wait 5 seconds for confirmation

Confirmation - Correct Programming

The Reader

RED LED Light Flashes 3 Times and  
3 Short Beeps

ALL Master Cards have been deleted





# INSPECTION MODE

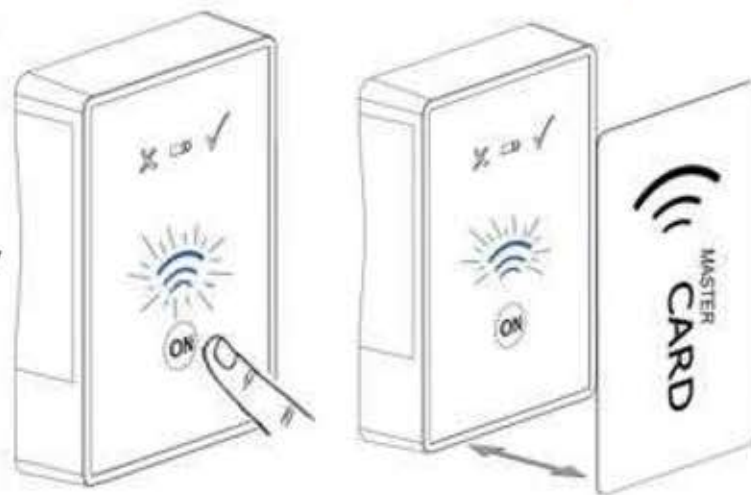
## USING the MASTER CARD:

- Press **ON** BUTTON
- Present MASTER CARD once  
Wait 5 seconds for confirmation

GREEN LED Light and long beep  
Lock opens for 30 seconds

After Inspection Time, the lock closes automatically

The USER Card has **NOT** been deleted



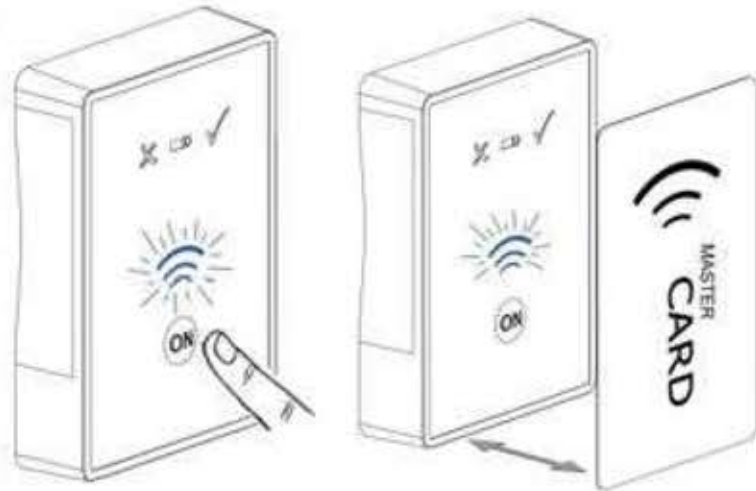
# DELETE USER CARD

## USING the MASTER CARD:

- Press **ON** BUTTON
- Present MASTER CARD twice  
Wait 5 seconds for confirmation

GREEN LED Light and long beep  
Lock remains opens

The USER Card has been deleted



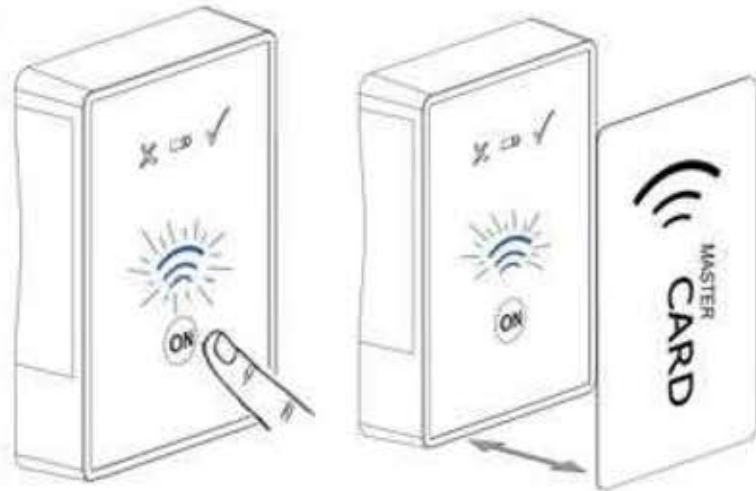
# DELETE ALL USER CARD (ONLY for Single User Mode)

## USING the MASTER CARD:

- Press **ON** BUTTON
- Present MASTER CARD four times  
Wait 5 seconds for confirmation

GREEN LED Light and long beep  
Lock remains opens

ALL USER Cards for this lock have been deleted



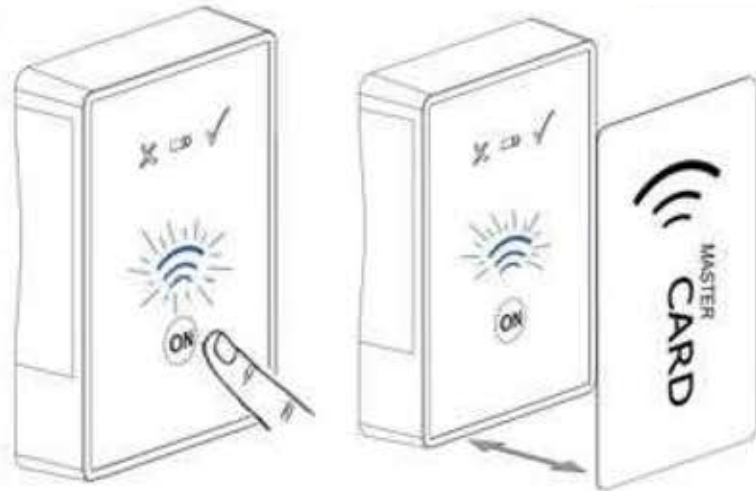
# DELETE USER CARD (Multi User Mode)

## USING the MASTER CARD:

- Press **ON** BUTTON
- Present MASTER CARD five times
- Followed by the User Card to be deleted  
Wait 5 seconds for confirmation

GREEN LED Light and long beep  
Lock remains opens

USER Card has been deleted



*RFID*  
USER  
CARD



CUSTOM MADE WASHROOM SOLUTIONS

# USER CARD – MULTI-USER MODE

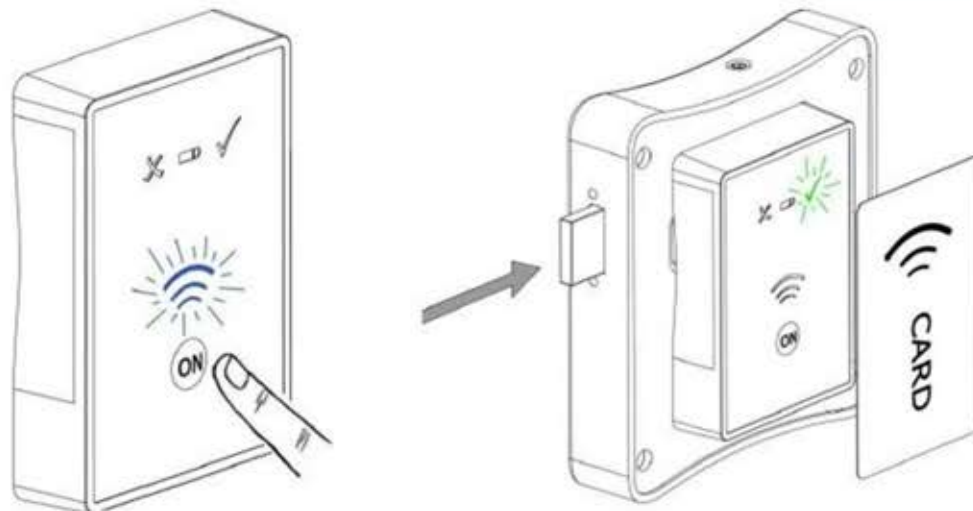
## USER FUNCTION

### TO LOCK:

- PRESS **ON** Button
- Present USER CARD  
GREEN Light flashes  
Bolt is thrown

### TO UNLOCK:

- PRESS **ON** Button
- Present USER CARD  
GREEN Light flashes  
Bolt is thrown



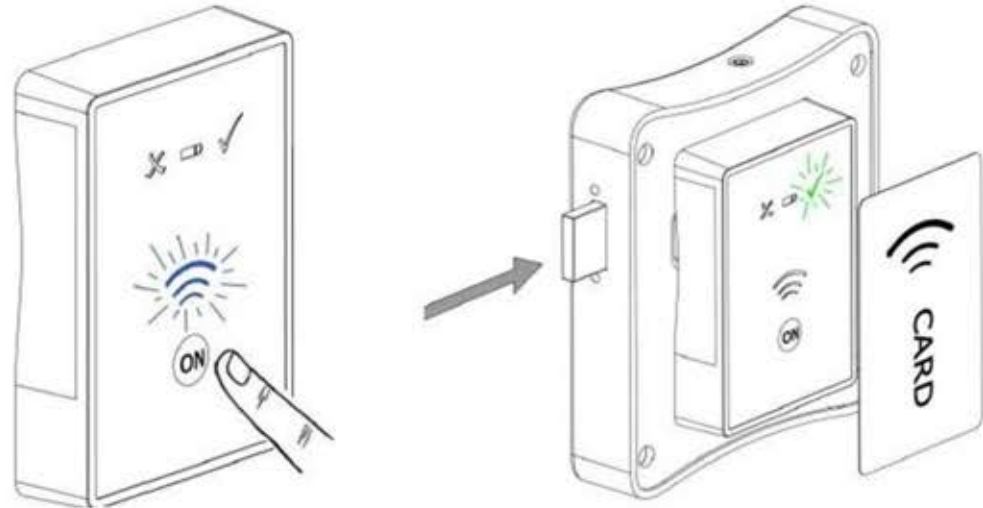
# USER CARD – SINGLE-USER MODE

## USER FUNCTION

### TO OPEN:

- PRESS **ON** Button
- Present **USER CARD**  
GREEN Light flashes  
Bolt is thrown

After 2 seconds the bolt will automatically close



# OPTIONS - USER WRIST BAND

Swimming Pool Application



RED or BLUE rubber wrist bands





CUSTOM MADE WASHROOM SOLUTIONS

An overhead view of a white rectangular table in a meeting room. Three people are seated around the table. On the left, a woman with long brown hair is looking at a laptop. On the right, a man with brown hair is looking at a tablet. At the bottom, a woman with blonde hair is using a calculator. The table is cluttered with various items: a laptop, a smartphone, several coffee cups, papers with charts and graphs, a calculator, a notebook, and a green folder. The floor is made of light-colored wood planks.

## BATTERY REPLACEMENT

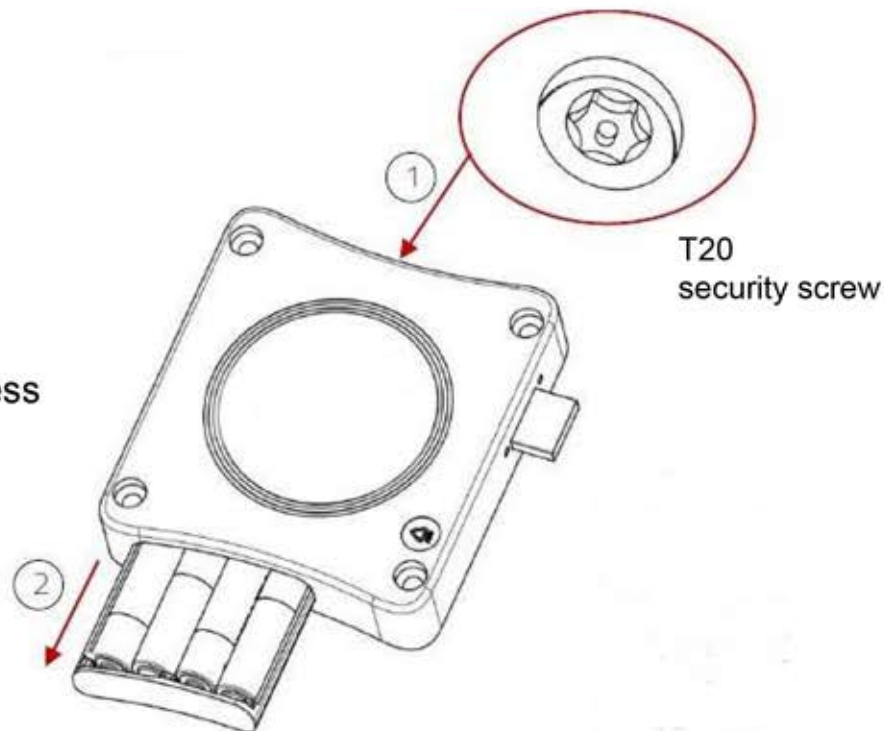
# BATTERY REPLACEMENT

Replacing the 4 x AA Batteries

**IMPORTANT:**

The battery replacements must be done in less than 5 minutes

The BATPACK must remain connected during the release of the battery tray (to ensure the internal clock does not lose its programmed time).



# TECHNICAL SPECIFICATION

Salt spray test	> 96h
Working temperature	-5°C < > +70°C
Latch force	> 45Kgf
UV Rays	> 10000h
Vibration	10 - 200 Hz 2g
Life test	> 200000 cycles
Electrostatic discharge	8000 V
Battery life	> 70000 cycles



RoHS



Management System  
ISO 9001:2008

www.tuv.com  
ID: 3105466651



CUSTOM MADE WASHROOM SOLUTIONS

An overhead view of three business women sitting around a white conference table. They are looking at various documents, a laptop, and a calculator. The table is cluttered with business-related items like coffee cups, pens, and a smartphone. The background is a dark wood floor.

# PC SOFTWARE OPTIONS

# PROGRAMMABLE SETTINGS

Various options are available with the  TRONIC MIFARE, when using the software management:-

## **AUTOMATIC OPENING TIME:**

The lock will open automatically at a designated time, planned by the installer

- hh : mm
- Mon, Tue, Wed, Thu, Fri, Sat, Sun.
- Working Days
- Two Options: Leave Door Open  
Close Door again (after a pre-planned time)

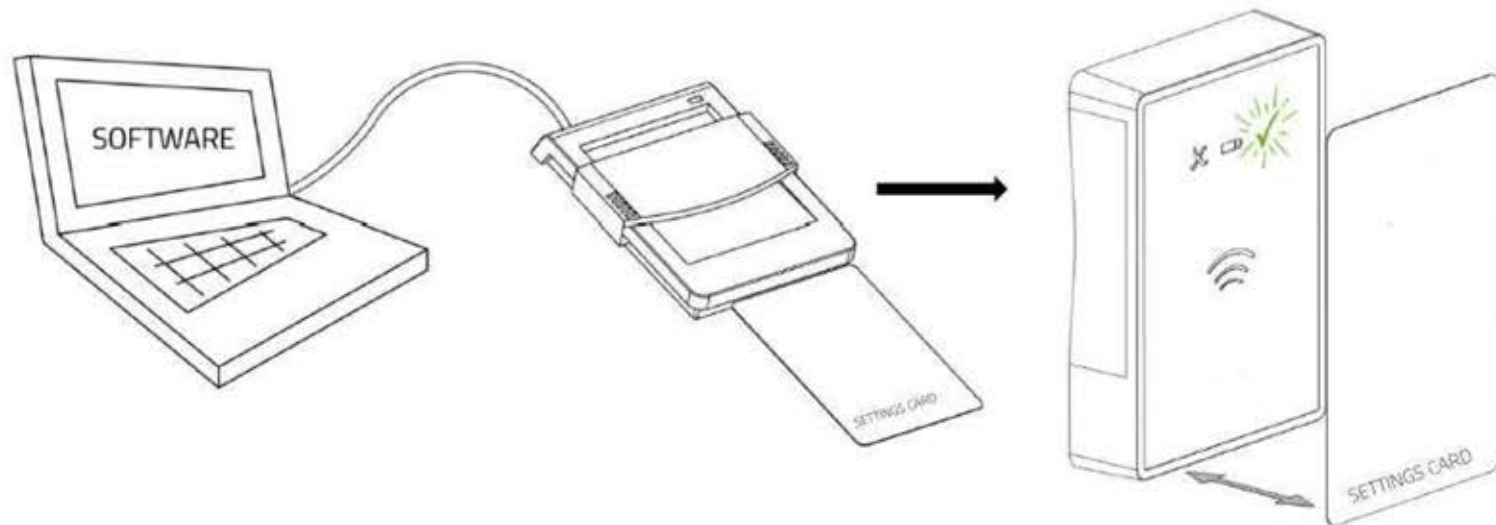
## **ACOUSTIC SIGNAL / VOLUME:**

- High
- Low
- Off

## **CODES:**

- User
- Master

# USB Settings Key



Load settings from the computer to the SETTINGS CARD (white)  
Present the SETTINGS CARD to the lock  
The SETTINGS will automatically be transferred to the lock.